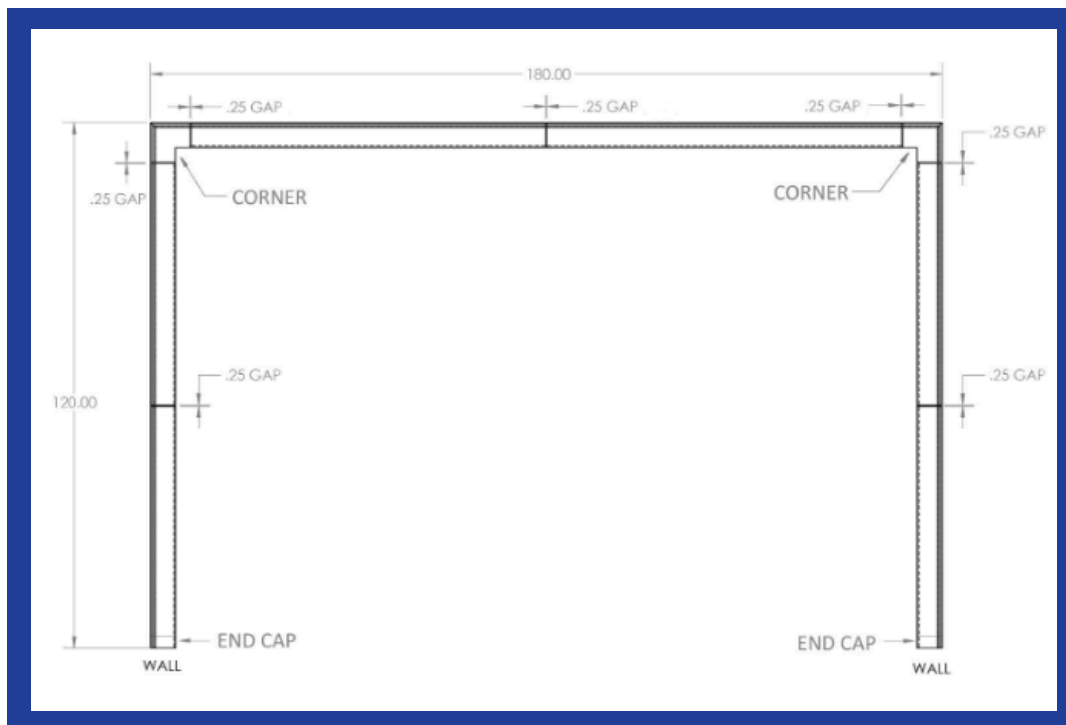


HOW TO MEASURE FOR YOUR RAILING

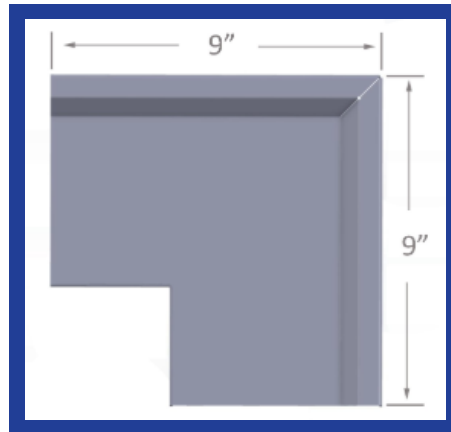
Measure each length of the existing 2x6 deck rail carefully. Create a sketch of your deck perimeter. Mark the locations of walls, stairs (if applicable), and any potential obstacles like pergola posts.



You can now **send your sketch** to our design team for a quote or continue with the measurement instructions to determine the necessary railing pieces and components for your project.

We're here to help! info@puresteelsolutions.com

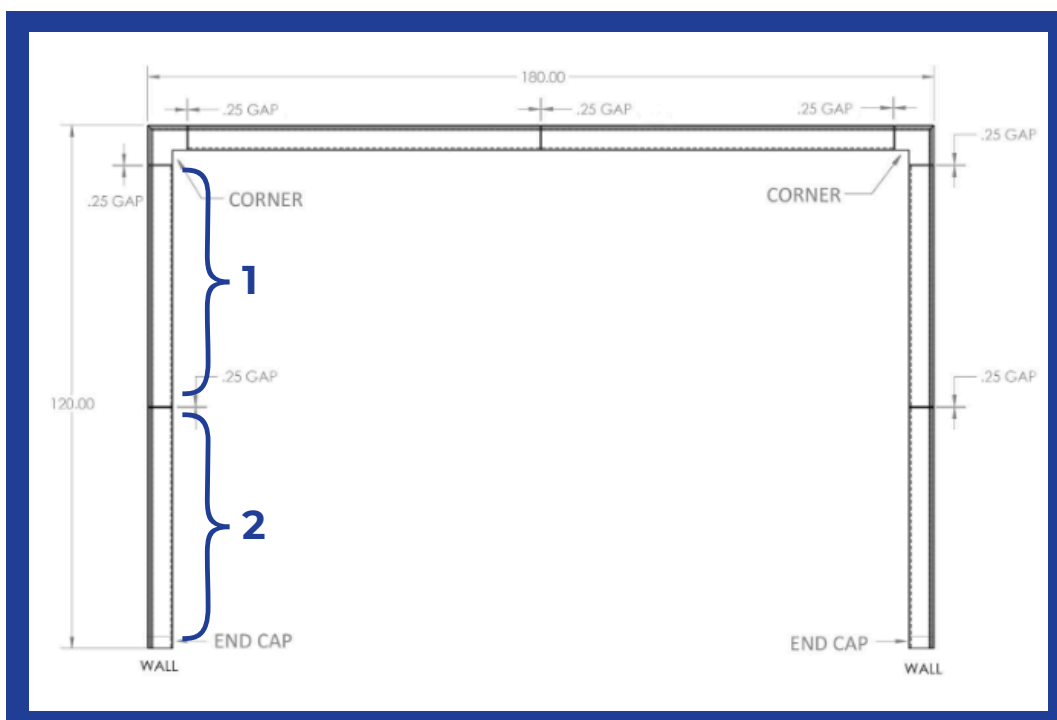
When measuring for your railing, be sure to account for the size of the corner piece. Subtract its width (9") from your total measurement.



Using the example sketch above, let's determine the materials required for the 120" section. First, subtract the corner piece from the 120" length: $120" - 9" = 111"$

The maximum rail length* is typically 96" (8 ft) to allow for efficient shipping and handling.

The 111" length will require two pieces of rail.



Factor in a 1/4" gap between adjacent rail pieces, and where rails meet at corners.

In this case, subtract 0.25" for the gap between adjacent rails and another 0.25" where the rail meets the corner.

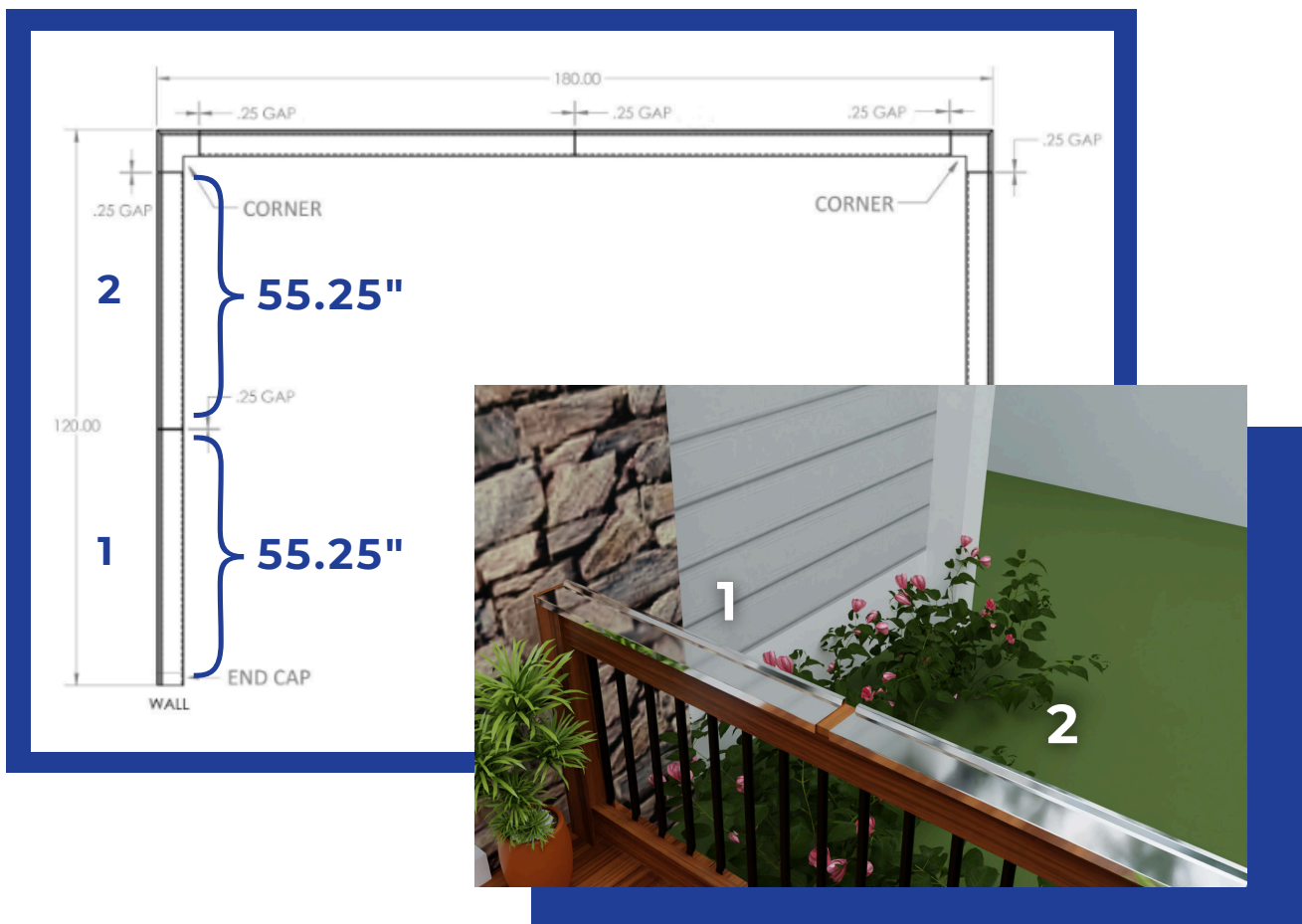
$$111" - 0.25" - 0.25" = 110.5"$$

Since the remaining length exceeds 96", divide it in half and order two rails to cover that section.

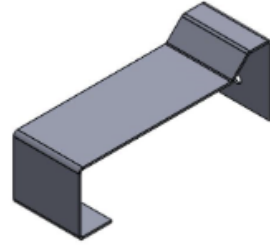
$$110.5" / 2 = 55.25"$$

This section of the project need (2) Rails 55.25"

** If you need longer rail lengths, let us know, and we'll provide a freight shipping quote. We tailor the rail to fit your project!*



Transition strips cover the gaps between adjacent rail pieces, and where rails meet at corners. Order the required quantity based on your project specifications.



End caps are slightly larger than rails and fit tightly over the ending section of rail. The overlap should be a minimum of 1" and a maximum of 1 1/4".

Consider the end points of your railing and determine if you need right or left-style end caps.



Left End Cap (#JSR3- 8)




Right End Cap (#JSR3-9)

If you have any questions, let us know. Our design team is here to guide you every step of the way.



Questions?

 Call (651) 565-3395

 Email info@puresteelsolutions.com